

SBS Load cell, 300kg~3t, shear beam



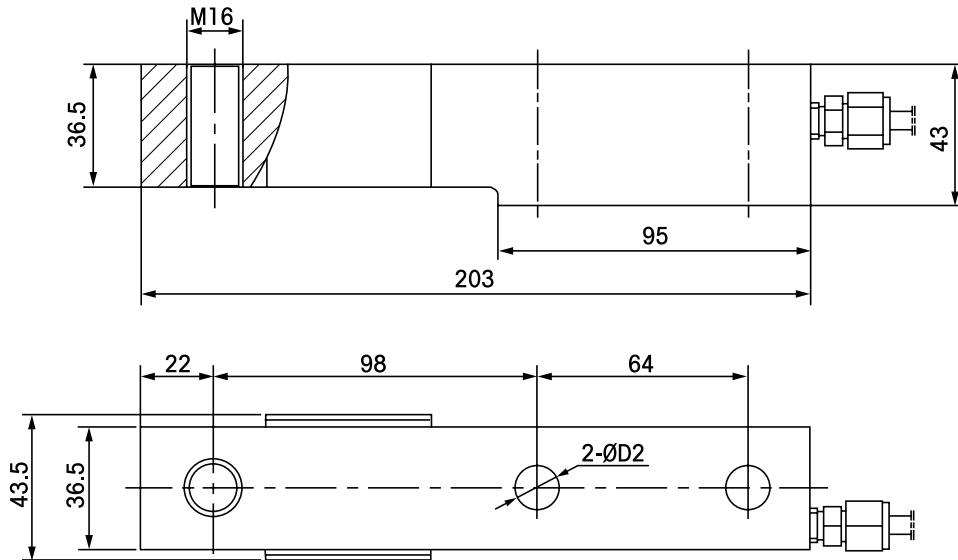
Features:

- Low profile
- High accuracy
- Self centering
- Excellent durability
- Alloy steel with nickel plated
- Protection class IP67

Specification

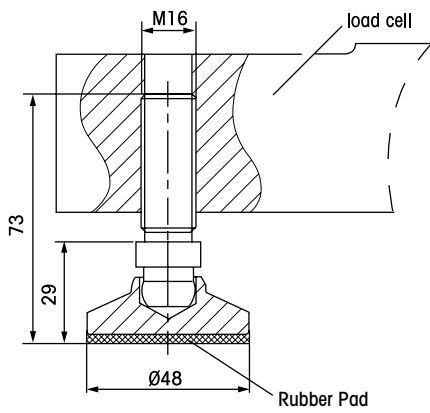
Rated capacity	t	0.3,0.5,1,2,3
Rated output	mV/V	2 ± 0.002
Non repeatability	%R.C.	≤ 0.01
Hysteresis	%R.C.	≤ 0.02
Non linearity	%R.C.	≤ 0.02
Creep(30min)	%R.C.	≤ 0.02
Zero balance	%R.C.	≤ 1
Temp. compensated range	°C	-10~+40
Operating temp. range	°C	-20~+60
Temp. coefficient on output	%Load/ °C	≤ 0.002
Temp. coefficient on zero balance	%R.C./ °C	≤ 0.002
Input resistance	Ω	381 ± 4
Output resistance	Ω	350 ± 1
Insulation resistance	MΩ	≥ 5000(50V DC)
Recommended voltage	V(DC/AC)	5~15
Max. excit. voltage	V(DC/AC)	20
Safe overload	%R.C.	150
Ultimated overload	%R.C.	300
Protection class		IP67
Cable length	m	4

- 1) For the cable color code of SBS load cell please refer to our data sheet SB...
- 2) Optionally available with service temperature range up to 150°C (310°F).
- 3) Optionally available with high output resistance 1000Ω.

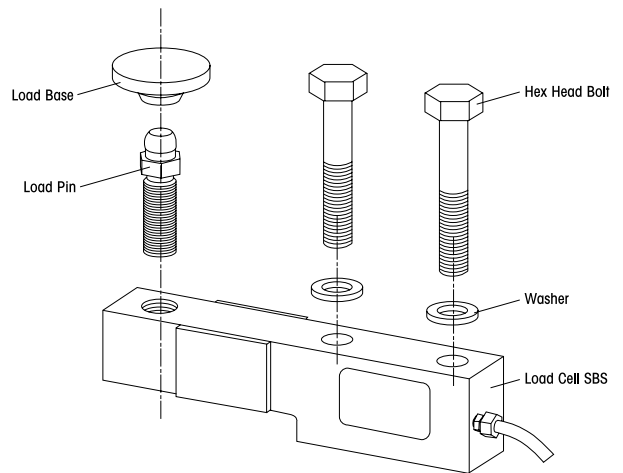


SBS 0.3,0.5,1,2,3

Capacity	ØD2
0.3-2t	13
3t	15



Centerline Assembly SPS – 0.3-3



Model	Tightening Torque(N·m)
SBS0.3~3	98