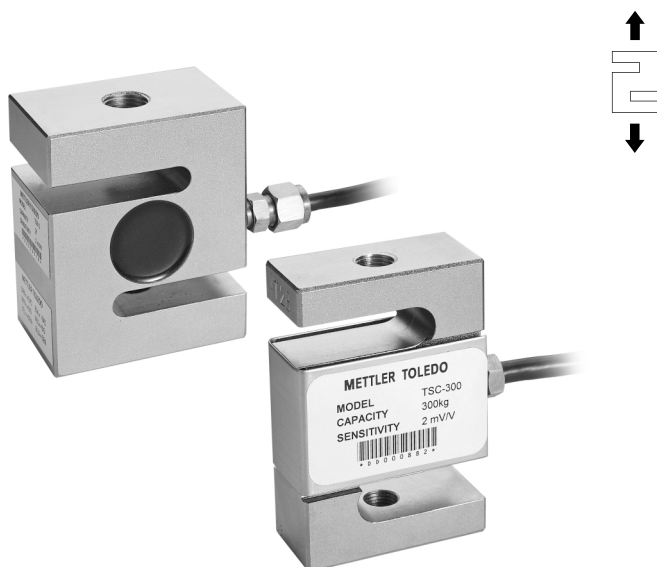


TSC/TSB Load cell, TSC 50kg~1t , TSB 2t~5t



Features:

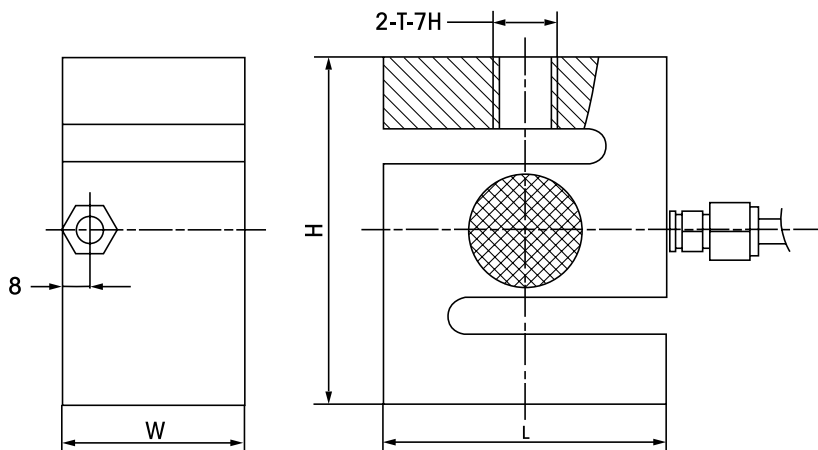
- Compact design
- High accuracy
- Excellent durability
- Alloy steel with nickel plated
- Protection class IP67 for TSB

Specification

Rated capacity TSC	kg	50,100,200,300,500,1000
Rated capacity TSB	t	2,3,5
Rated output	mV/V	2 ± 0.002
Non repeatability	%R.C.	≤ 0.01
Hysteresis	%R.C.	≤ 0.02
Non linearity	%R.C.	≤ 0.02
Creep(30min)	%R.C.	≤ 0.02
Zero balance	%R.C.	≤ 1
Temp. Compensated range	°C	-10~+40
Operating temp. Range	°C	-20~+65
Temp. coefficient on output	%Load/°C	≤ 0.002
Temp. coefficient on zero balance	%R.C./°C	≤ 0.002
Input resistance	Ω	381 ± 4
Output resistance	Ω	350 ± 1
Insulation resistance	MΩ	≥ 5000(50V DC)
Recommended voltage	V(DC/AC)	5~15
Max. excit. voltage	V(DC/AC)	20
Safe overload	%R.C.	150
Ultimated overload	%R.C.	300
Protection class		IP65(TSC), IP67(TSB)
Cable length	m	5

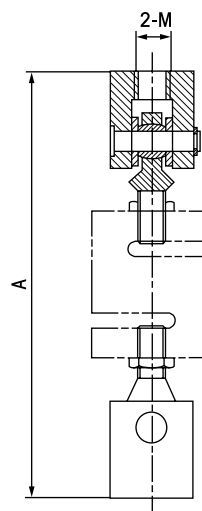
1) The cable color code of TSC/TSB load cell please refer to our data sheet SB...

2) Optionally available with service temperature range up to 150°C (310°F).



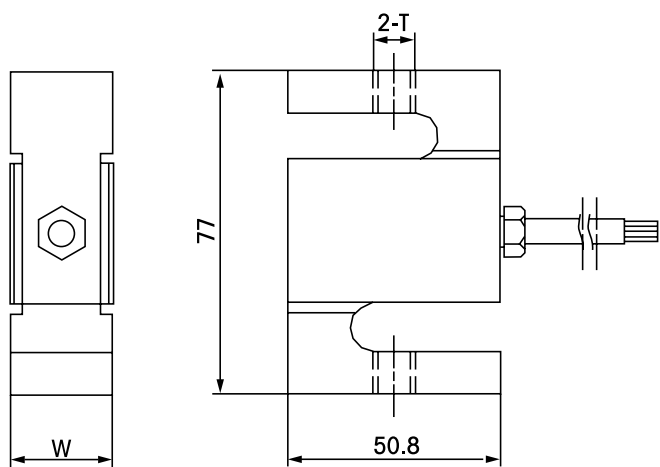
TSB 2,3,5

Capacity(kg)	L(mm)	H(mm)	W(mm)	T(mm)
2000	70	86	45	M16x1.5
3000	80	100	50	M18x1.5
5000	92	130	58	M20x2



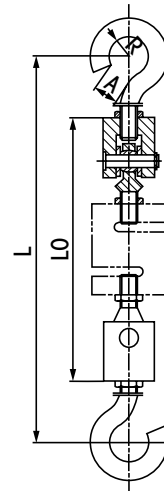
Coupling ZP 2,3,5

Capacity(t)	Dimensions(mm)	
	A	M
2	248-266	M14
3	268-290	M18
5	314-334	M20



TSC 50~1000

Capacity(kg)	Dimensions(mm)	
	W	T
50,100,200	18.5	M10x1
300	24.4	M10x1
500	24.4	M12x1
1000	36	M12x1



Coupling ZP 50~1000

Capacity(kg)	Dimensions(mm)			
	L	LO	R	A
50,100,200,300	322-367	205-227	14	18
500	298-317	219-235	14	0
1000	298-317	219-235	14	0