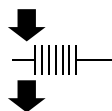


MTB Load cell, 10kg~500kg, bending beam



Features:

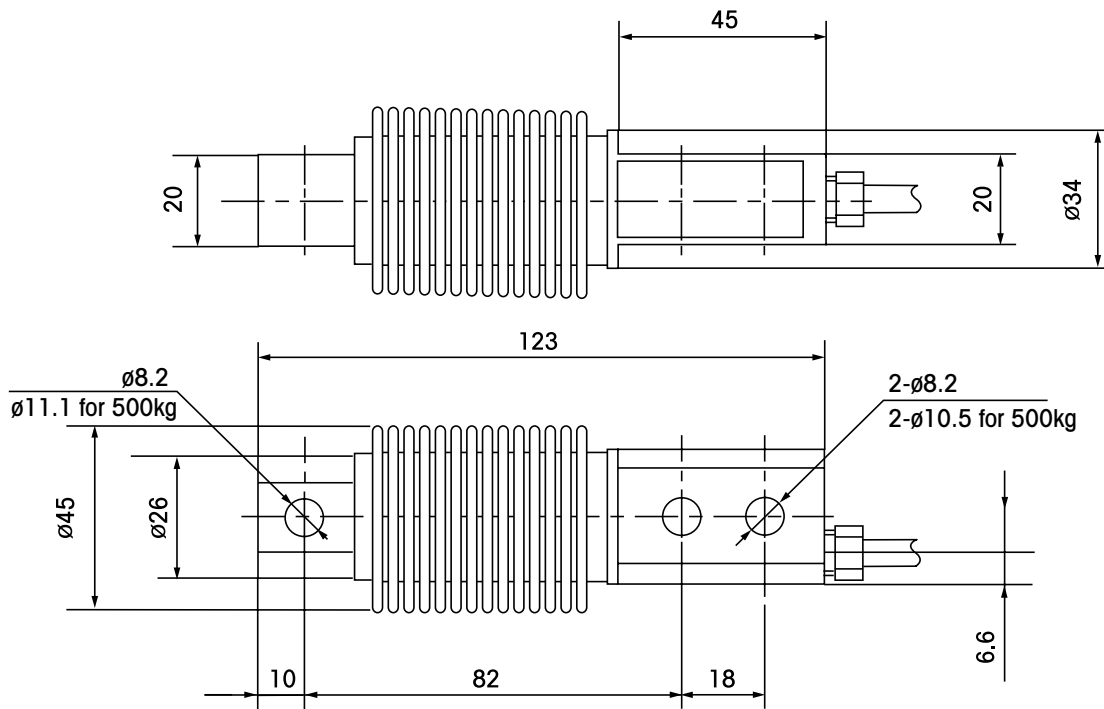
- OIML R60 C3 approved
- Low profile
- Stainless steel
- Protection class IP68 as hermetically sealed
- Available on request of EEx ib IIC T4
- Optionally available with service temperature range up to 200°C (413°F)

Specification

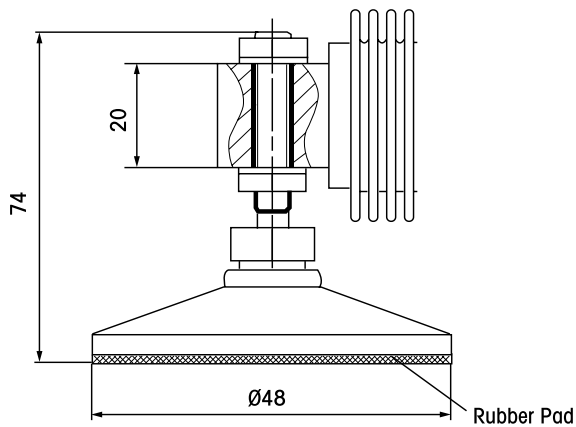
Rated capacity	kg	10,20,50,100,200,300,500
Rated output	mV/V	2 ± 0.002
Non repeatability	%R.C.	≤ 0.01
Hysteresis	%R.C.	≤ 0.02
Non linearity	%R.C.	≤ 0.02
Creep(30min)	%R.C.	≤ 0.02
Zero balance	%R.C.	≤ 1
Temp. Compensated range	°C	-10~+40
Operating temp. Range	°C	-20~+65
Temp. coefficient on output	%Load/°C	≤ 0.002
Temp. coefficient on zero balance	%R.C./°C	≤ 0.002
Input resistance	Ω	387 ± 4
Output resistance	Ω	350 ± 1
Insulation resistance	MΩ	5000(50V DC)
Recommended voltage	V(DC/AC)	5~15
Max. excit. voltage	V(DC/AC)	20
Safe overload	%R.C.	150
Ultimated overload	%R.C.	300
Protection class		IP68
Cable length	m	3

1) For the cable color code of MTB load cell please refer to our data sheet SB...

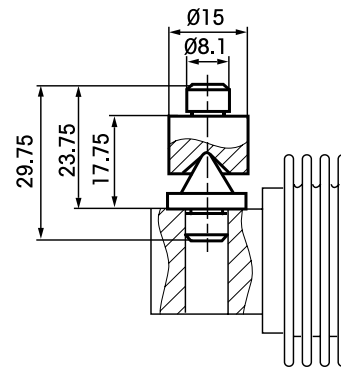
2) The date for deviation of non linearity, hysteresis and temperature effect on rated output are typical values, the sum of these data meets the requirements according to OIML R60.



MTB 10,20,30,50,100,200,300,500



Receiver T foot



Receiver Cone and conical pan