

# SB Load cell, 300kg~30t, shear beam



### Features:

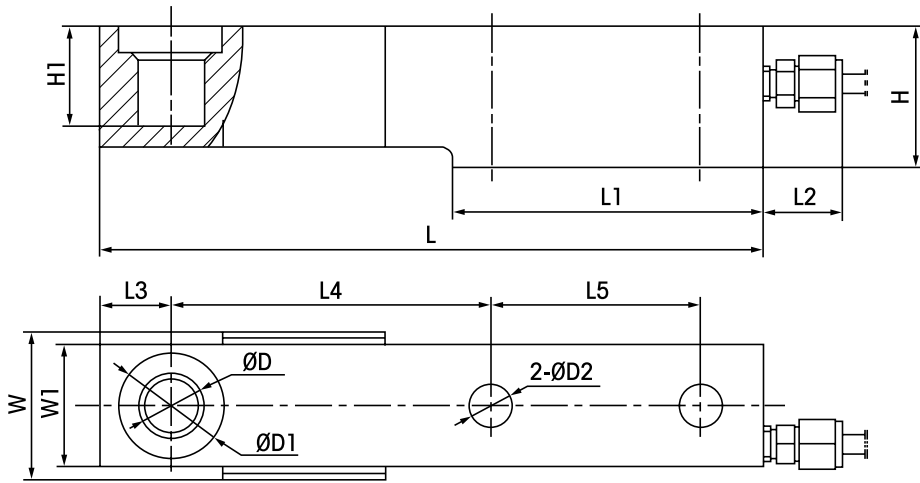
- Low profile
- High accuracy
- Self centering
- Excellent durability
- Alloy steel with nickel plated for SB 0.5~5
- Protection class IP67

### Specification

Rated capacity	t	0.3,0.5,1,2,3	5	10	15,20,30
Rated output	mV/V	2 ± 0.002			
Non repeatability	%R.C.	≤ 0.01			
Hysteresis	%R.C.	≤ 0.02			± 0.03(SB 30)
Non linearity	%R.C.	≤ 0.02			± 0.03(SB 30)
Creep(30min)	%R.C.	≤ 0.02			
Zero balance	%R.C.	≤ 1			
Temp. compensated range	°C	-10~+40			
Operating temp. range	°C	-20~+60			
Temp. coefficient on output	%Load/°C	≤ 0.002			
Temp. coefficient on zero balance	%R.C./°C	≤ 0.002			
Input resistance	Ω	381 ± 4			
Output resistance	Ω	350 ± 1			
Insulation resistance	MΩ	≥ 5000(50V DC)			
Recommended voltage	V(DC/AC)	5~15			
Max. excit. voltage	V(DC/AC)	20			
Safe overload	%R.C.	150			
Ultimated overload	%R.C.	300			
Protection class		IP67			
Cable length	m	4	5	6	10

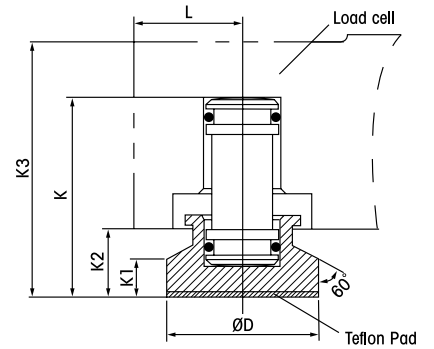
1) Optionally available with service temperature range up to 150°C (310°F).

2) Optionally available with high output resistance 1000Ω(0.5t~2t) and 2000Ω(5t~30t).



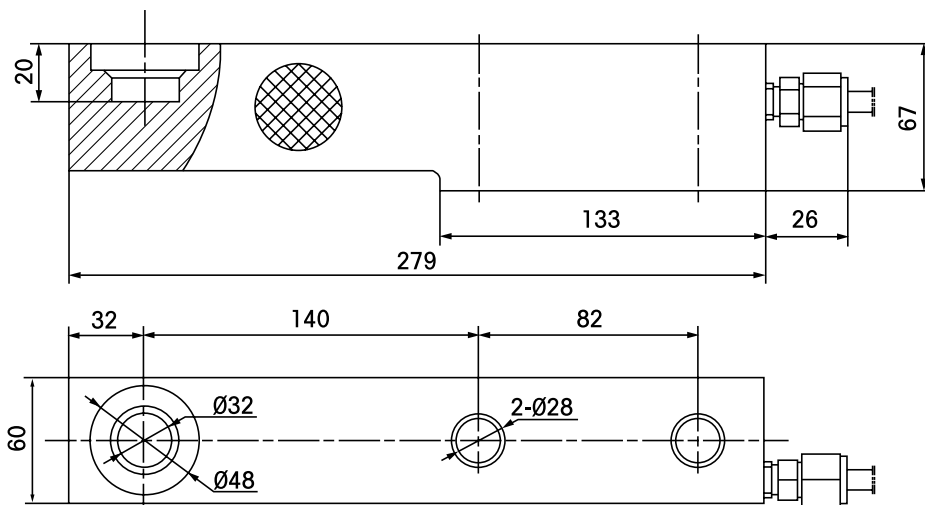
**SB 0.3,0.5,1,2,3,5**

Capacity	L	L1	L2	L3	L4	L5	W	W1	H	H1	ØD	ØD1	ØD2
0.3-2t	203	95	26	22	98	64	43.5	36.5	43	30.4	16	32	13
3t	203	95	26	22	98	64	43.5	36.5	43	30.4	16	32	15
5t	235	110	26	22	124	66	54.5	47.5	52	30	22	38	20

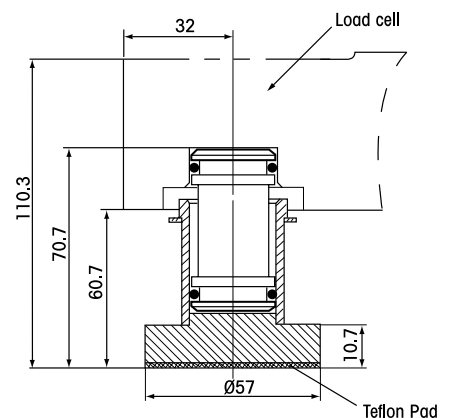


**Centerlign Assembly SP - 0.3-5**

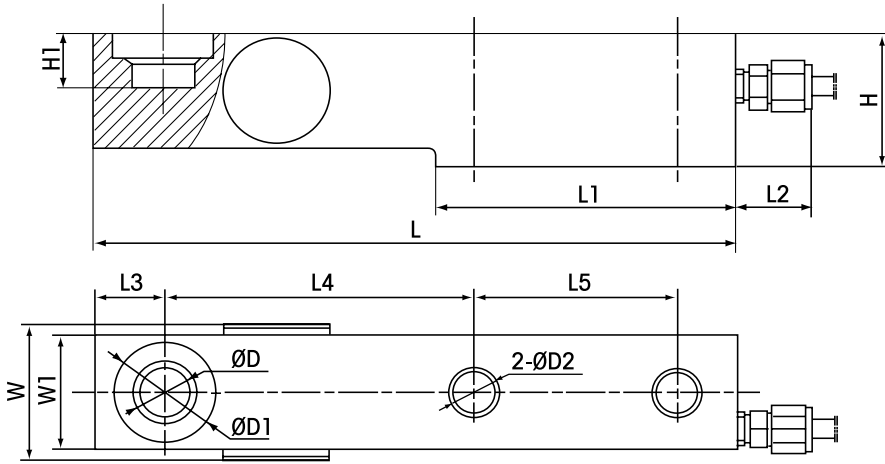
Capacity	K1	K2	K3	K	L	ØD
0.3-3t	6.8	14.9	60.9	44.9	22	35
5t	13.2	26.7	74.3	56.7	22	42



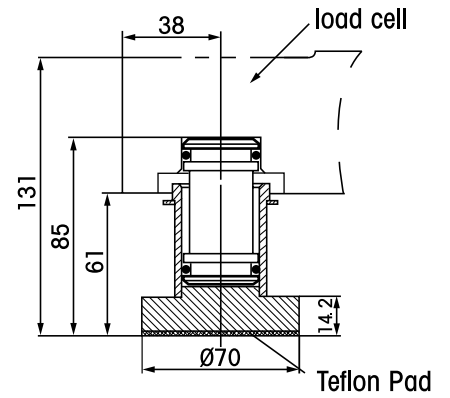
**SB 10**



**Centerlign Assembly SP - 10**

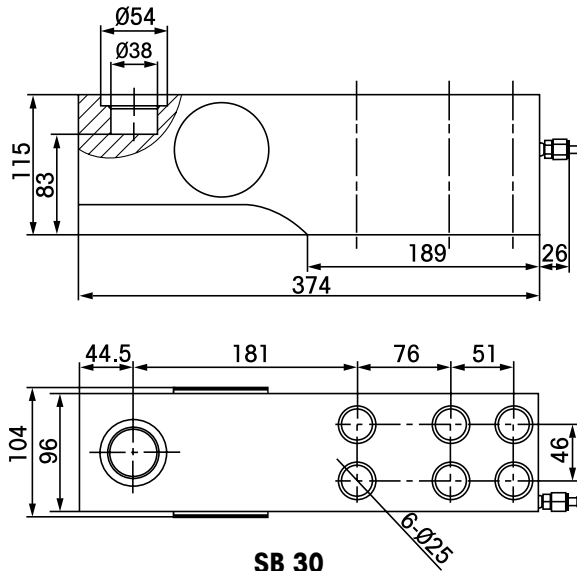


**SB 15,20**

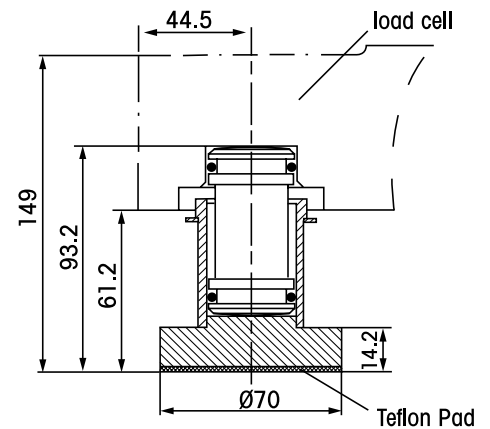


**Centerlign Assembly SP - 15-20**

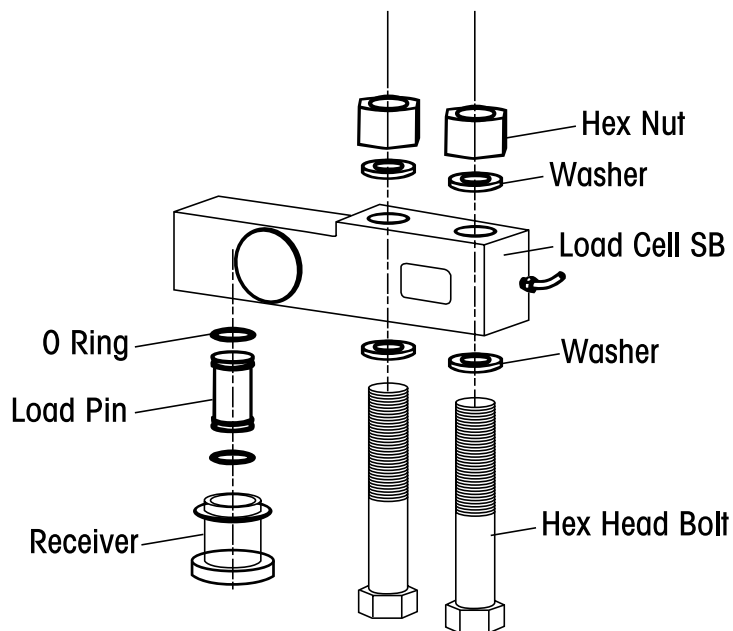
Capacity	L	L1	L2	L3	L4	L5	W	W1	H	H1	$\varnothing D$	$\varnothing D1$	$\varnothing D2$
15,20t	318	153	26	38	159	89	78	70	82.5	24	38	54	34



**SB 30**



**Centerlign Assembly SP - 30**



Cable Color	Code(six-wire circuit)
Green	+Excitation
Black	-Excitation
Yellow	+Sense
Blue	-Sense
White	+Signal
Red	-Signal
Yellow(long)	Shield

Model	Tightening Torque(N·m)
SB0.3~3	98
SB5	275
SB10	650
SB15~20	1470
SB30	450