

SBC Load cell, 500kg~3t, shear beam



Features:

- OIML R60 C3 approved
- Low profile
- High accuracy
- Self centering
- Excellent durability
- Alloy steel with nickel plated
- Protection class IP67

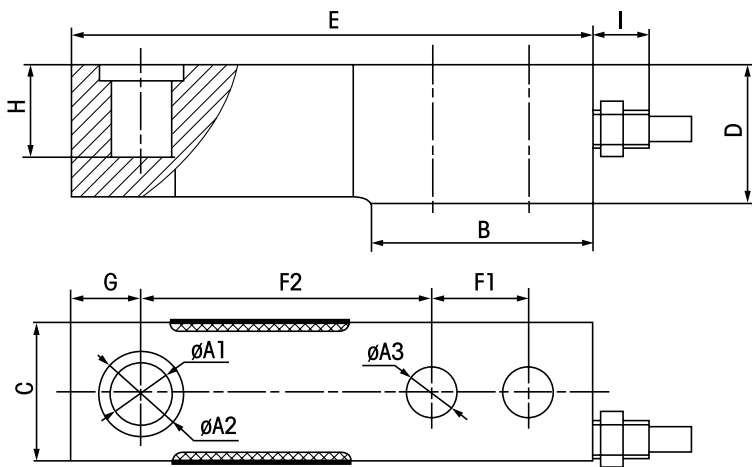
Specification

Rated capacity	kg	500,1000,2000,3000
Rated output	mV/V	2 ± 0.002
Non repeatability	%R.C.	≤ 0.01
Hysteresis	%R.C.	≤ 0.02
Non linearity	%R.C.	≤ 0.02
Creep(30min)	%R.C.	≤ 0.02
Zero balance	%R.C.	≤ 1
Temp. compensated range	°C	-10~+40
Operating temp. range	°C	-20~+65
Temp. coefficient on output	%Load/°C	≤ 0.002
Temp. coefficient on zero balance	%R.C./°C	≤ 0.002
Input resistance	Ω	381 ± 4
Output resistance	Ω	350 ± 1
Insulation resistance	MΩ	≥ 5000(50V DC)
Recommended voltage	V(DC/AC)	5~15
Max. excit. voltage	V(DC/AC)	20
Safe overload	%R.C.	150
Ultimated overload	%R.C.	300
Protection class		IP67
Cable length	m	3.1

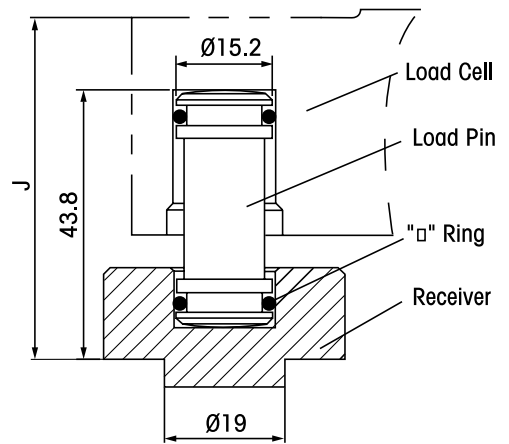
1) The date for deviation of non linearity, hysteresis and temperature effect on rated output are typical values, the sum of these data meets the requirements according to OIML R60.

2) Optionally available with service temperature range up to 150°C (310°F).

3) Optionally available with high output resistance 1000Ω.

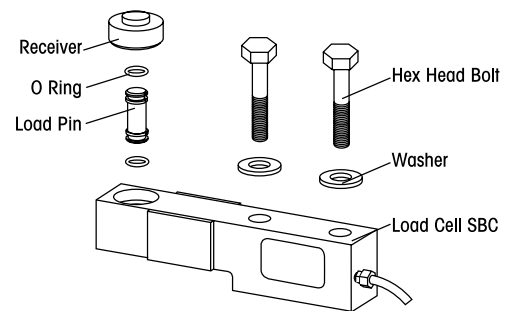
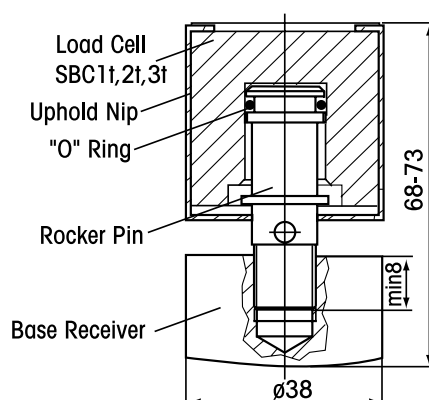
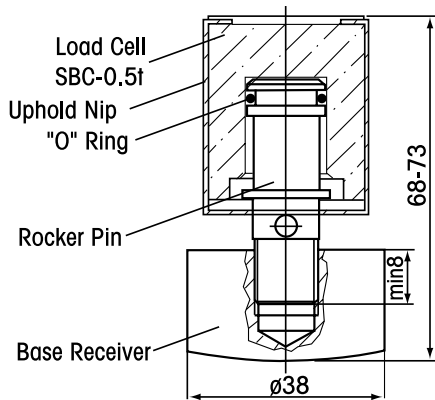


SBC 0.5, 1, 2, 3



Centerlign Assembly SPC - 0.5-3

Capacity	ØA1	ØA2	ØA3	B	C	D	E	F1	F2	G	H	I	J
500kg	16	22	12.5	57.8	30.2	35	133.4	25.4	76.2	15.4	22	17	55.3
1000kg	16	22	12.5	58.2	36.6	36.6	137	25.4	76.2	18.4	23.7	17	54.6
2000kg	16	22	12.5	58.2	36.6	36.6	137	25.4	76.2	18.4	23	17	55.3
3000kg	16	22	14.7	58.2	36.6	36.6	137	25.4	76.2	18.4	23	17	55.3



Centerlign T foot

Cable Color	Code(four-wire circuit)
Green	+Excitation
Black	-Excitation
White	+Signal
Red	-Signal
Yellow(long)	Shield

Mounting:

Tightening Torque(N·m)
98